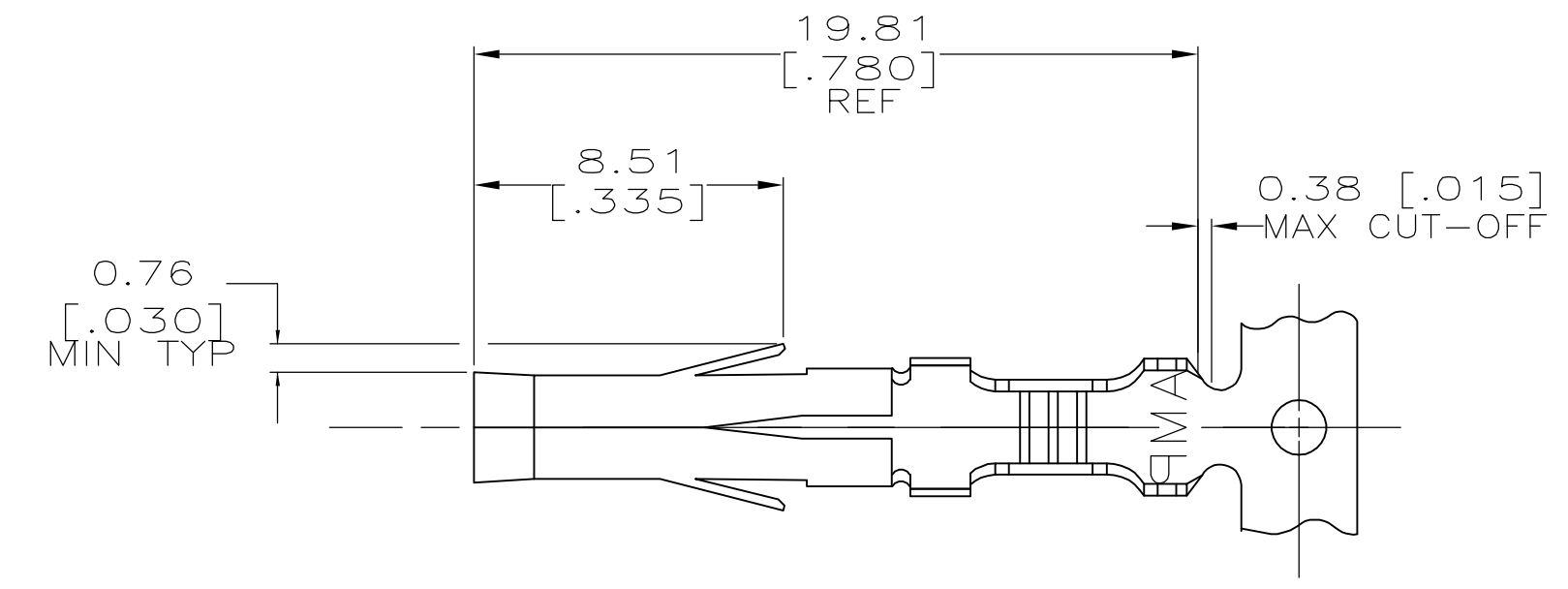
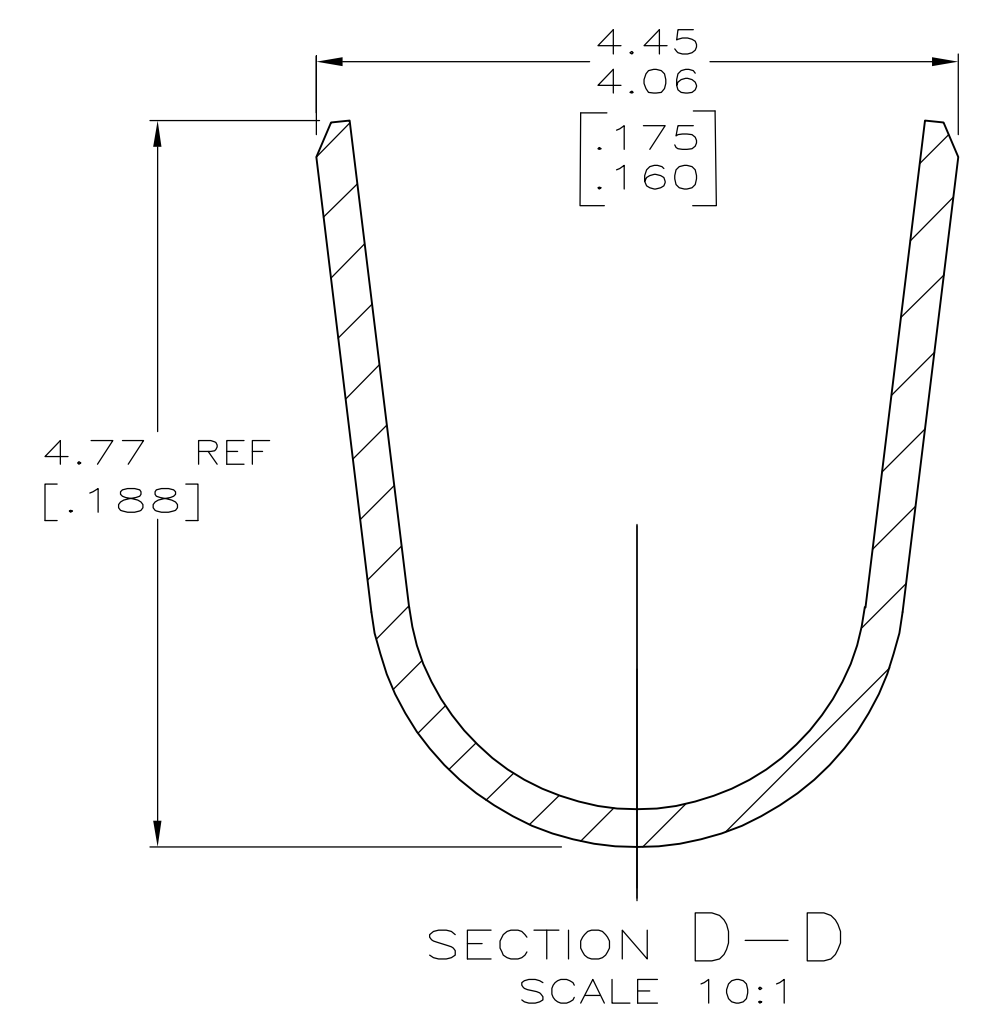
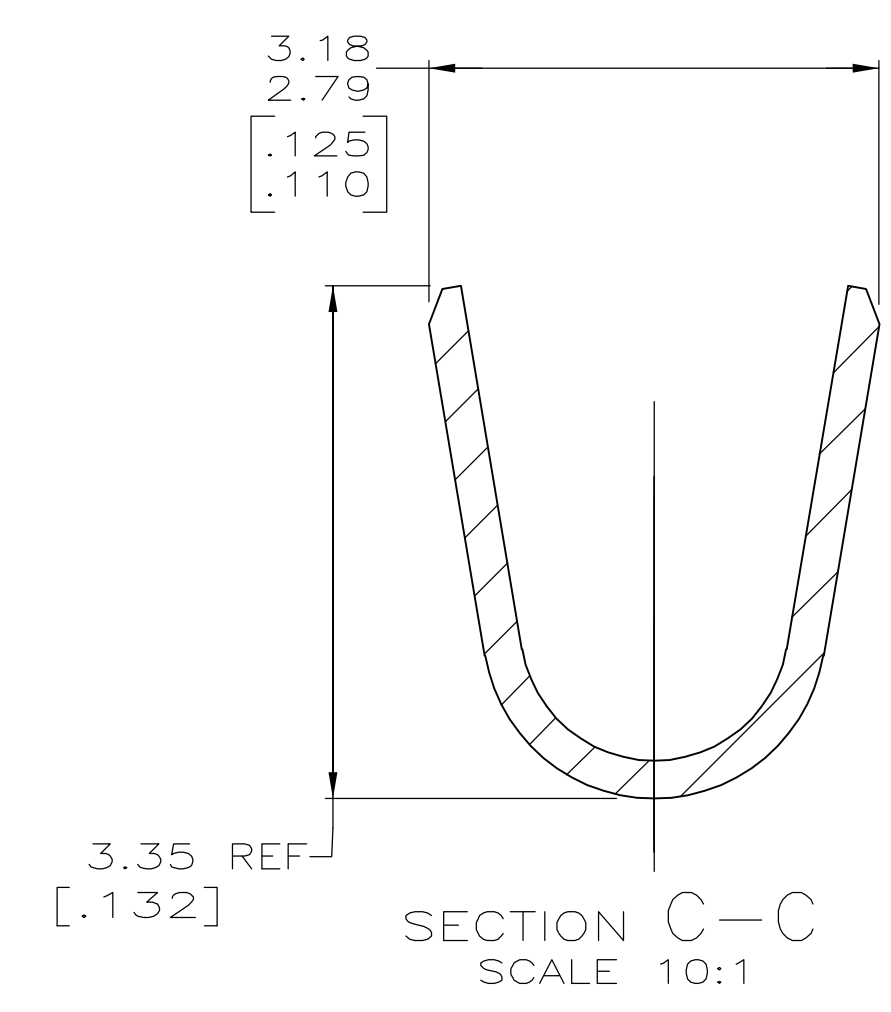
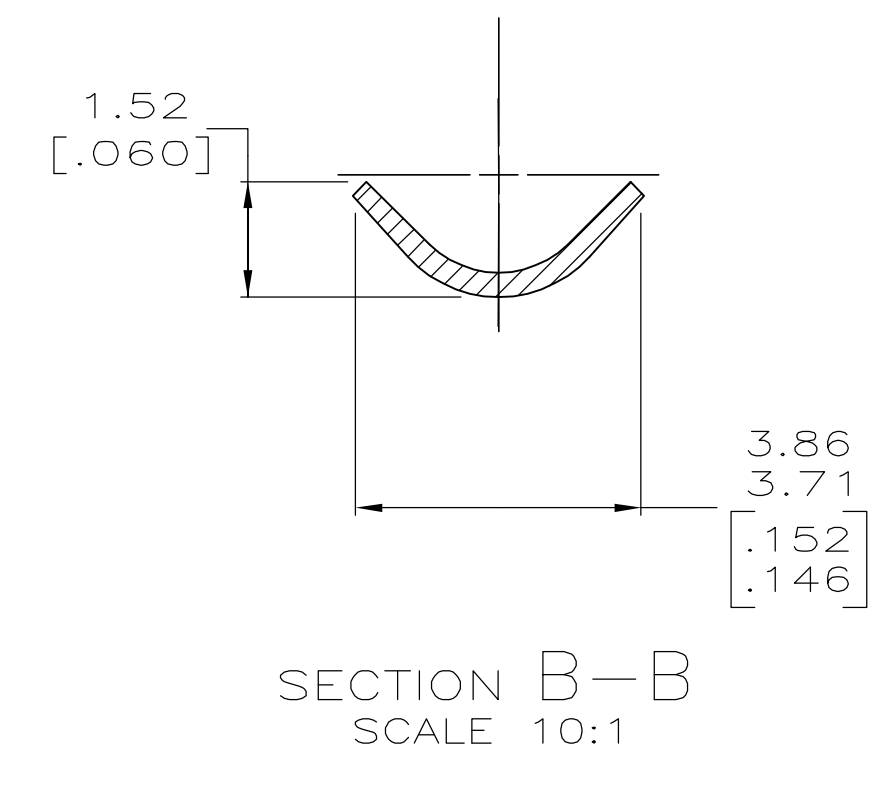
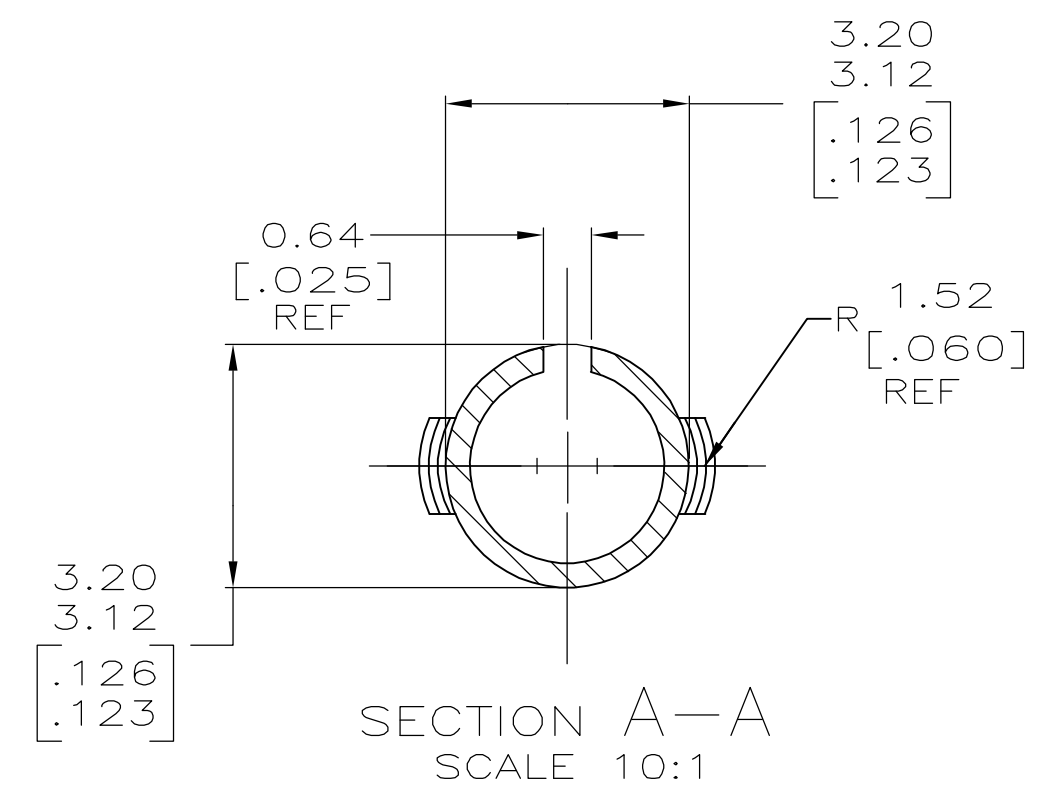
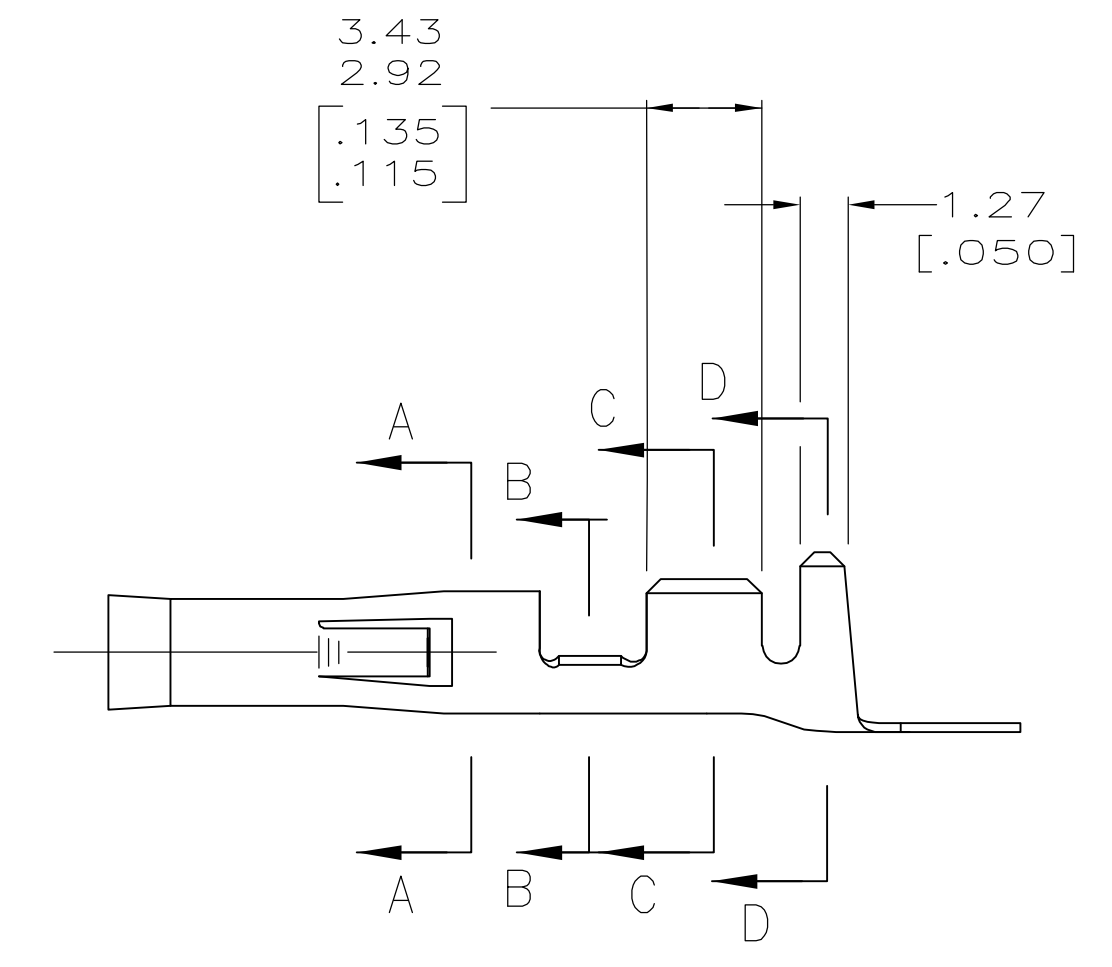
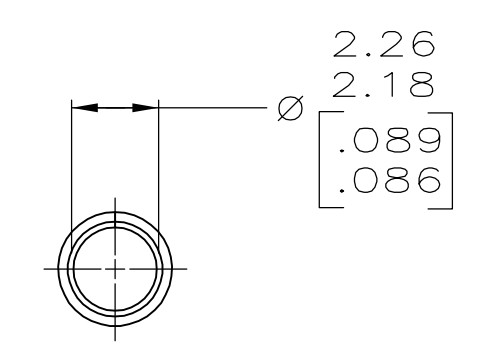


LOC		DIST		REVISIONS			
P	LTR	DESCRIPTION	DATE	DWN	APPD		
AL		REV PER ECO-05-002511	22NOV05	KW	DC		



- 1 WIRE RANGE: 0.5-2mm² (20-14 AWG).
- 2 INSULATION RANGE: 3.56 [.140] MAX. DIA.
- 3 DIMENSIONS IN BRACKETS ARE IN INCHES.
- 4 0.00076 [.000030] MIN GOLD STRIPE OVER 0.00127 [.000050] MIN NICKEL ON INSIDE OF SOCKET.



METRIC

FINISH	MATERIAL	PART NO
PRE-TIN	0.25 [.010] PHOS BRZ	350415-6
4	0.25 [.010] BRASS	350415-5
PRE-TIN	0.25 [.010] BRASS	350415-1

THIS DRAWING IS A CONTROLLED DOCUMENT.		DWN K. WHITAKER 22NOV2005	Tyco Electronics Corporation Harrisburg, PA 17105-3608	
DIMENSIONS: mm (INCHES)		CHK D. COLEY 22NOV2005	NAME D. COLEY	
TOLERANCES UNLESS OTHERWISE SPECIFIED:		PRODUCT SPEC APPLICATION SPEC		
0 PLC ± -		SIZE A1		
1 PLC ± -		CAGE CODE 00779		
2 PLC ± -		DRAWING NO 350415		
3 PLC ± 0.13 [.005]		RESTRICTED TO -		
4 PLC ± -		CUSTOMER DRAWING		
ANGLES ± 0.30'		SCALE 5:1		
FINISH SEE TABLE		SHEET 1 OF 1		